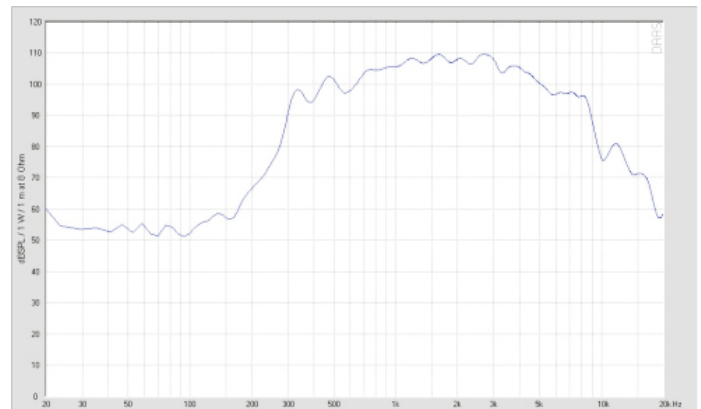
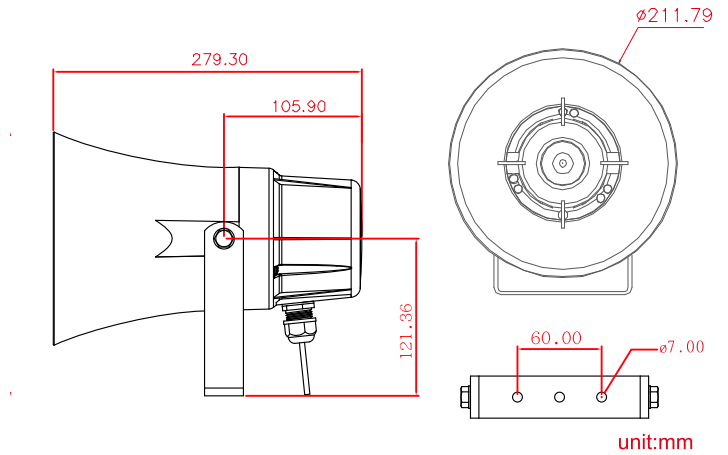


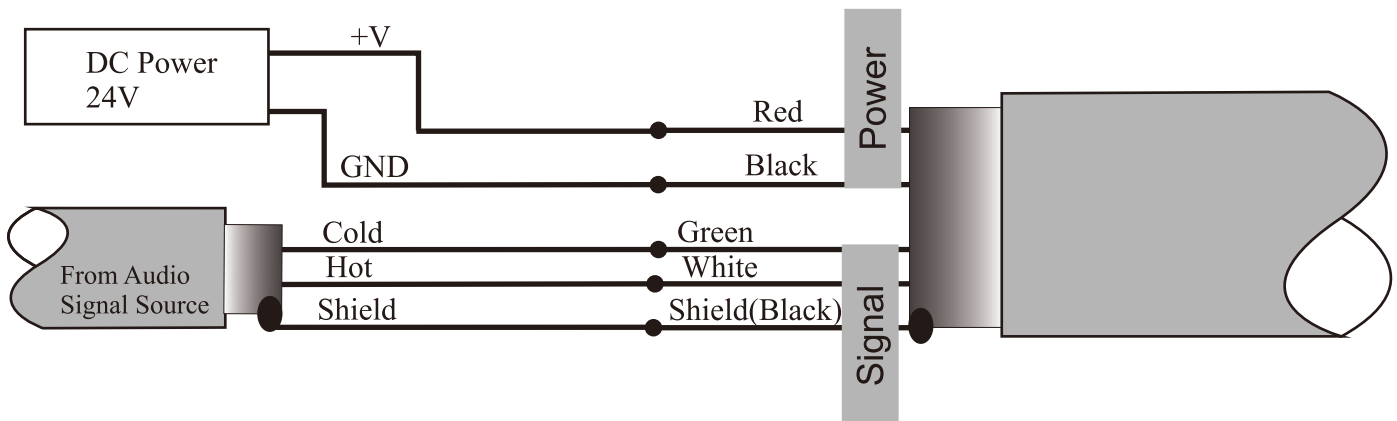
# 40W ACTIVE PLASTIC HORN SPEAKER



## SPECIFICATIONS

Model No.	PHSAC-81
Power Ration	40W
<b>Driver Specification</b>	
Impedence	4 ohm
S.P.L(at 1W/1M)	108dB
Maximum Acoustic Pressure	128dB
Frequency Response(-20dB)	350~8K hz
Dispersion 1KHz / 4KHz	120° / 30°
Ambient Temperature	-10°C~ +55°C
<b>Amplifier Specification</b>	
Signal Input Level	-20dBV~ +4dBV
Input Type	Balance / Unbalance
Supply Voltage/Current	24VDC, Regulated 2A
Volume Adjustment	Internal Volume Control
Output Power	40W@ 4Ω
Cable	Length: 2M(5 Cores)
Dimension	212 (Dia)x 280 (L)mm
Material	Housing: High impact ABS with UV inhibitors
Color	Light Grey (RAL 7035)
Weight	1.85Kg
Mounting	U Type Bracket(Stainless Steel)

### Typical wiring for balanced audio sources (2wires + shield)



### Typical wiring for unbalanced audio sources (1wires + shield)

